

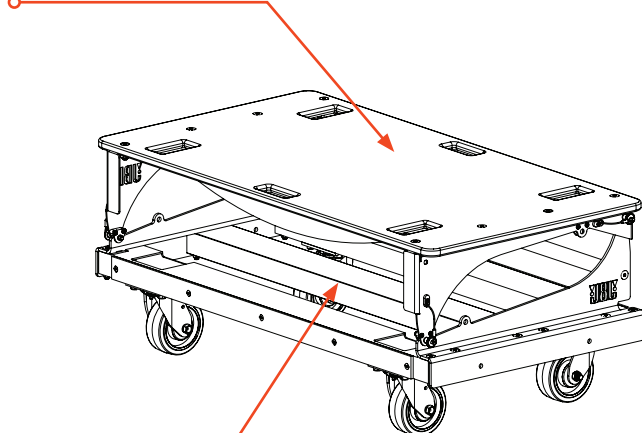
HIGHLIGHTS

- Vertical Transport cart for four VTX A12 enclosures
- Truck pack-friendly dimensions
- Hard top included for easy stacking and transportation
- Built-in stacking features for easy storage
- Ground stacking support with optional accessory
- Heavy-duty casters
- Constructed from steel and aluminum parts

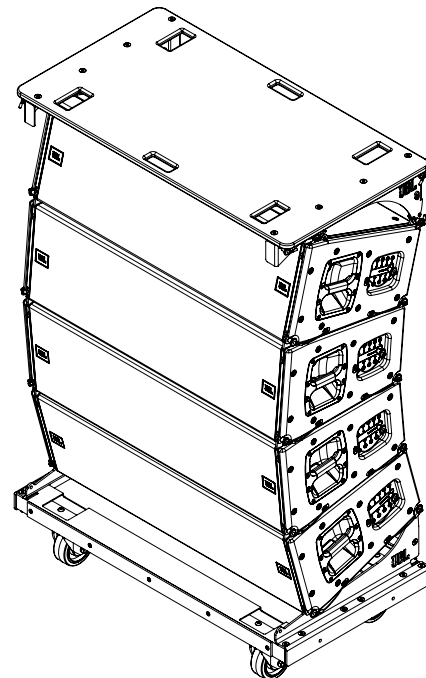
DESCRIPTION

The VTX A12 VT Vertical Transporter is a robust, lightweight cart solution for vertically transporting up to four VTX A12 enclosures. The VTX A12 VT is constructed out of aluminum and steel parts and measures 45-inch (1143 mm) wide and 24-inch (610 mm) deep. Two attachment points are available on each side of the VTX A12 VT for connecting to the optional VTX A12 VT GND Ground Stack outrigger system. When used together, the VTX A12 VT becomes a fast and easy solution for deploying ground-stack arrays without having to remove the cabinets from the cart. The VTX A12 VT comes standard with a hard-top (VT-TOP) attachment that connects to the topmost cabinet of a stack to create a robust and defined footprint that stabilizes the carts during transportation and allows other gear to be placed above for maximum truck-pack efficiency. A reinforced protective cover is available (VTX A12 VT CVR) and supplied separately.

Storage Configuration



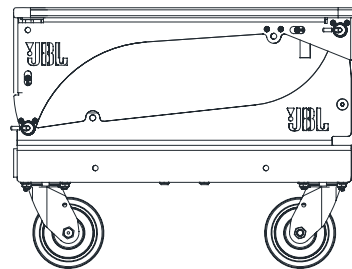
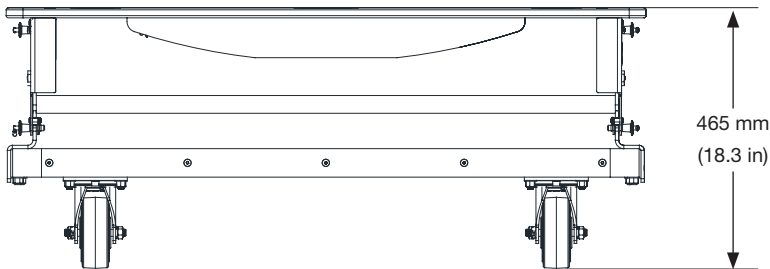
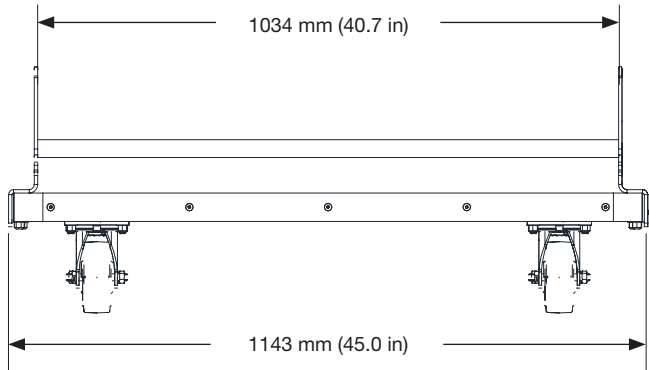
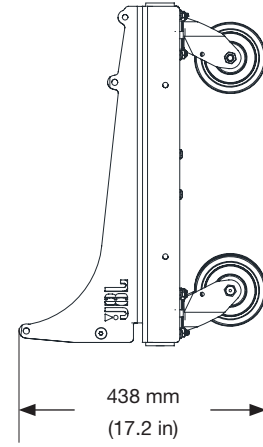
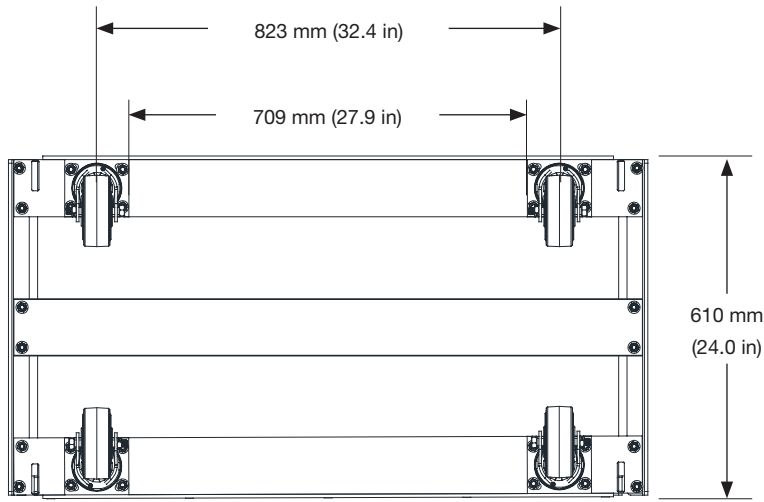
Cover Storage



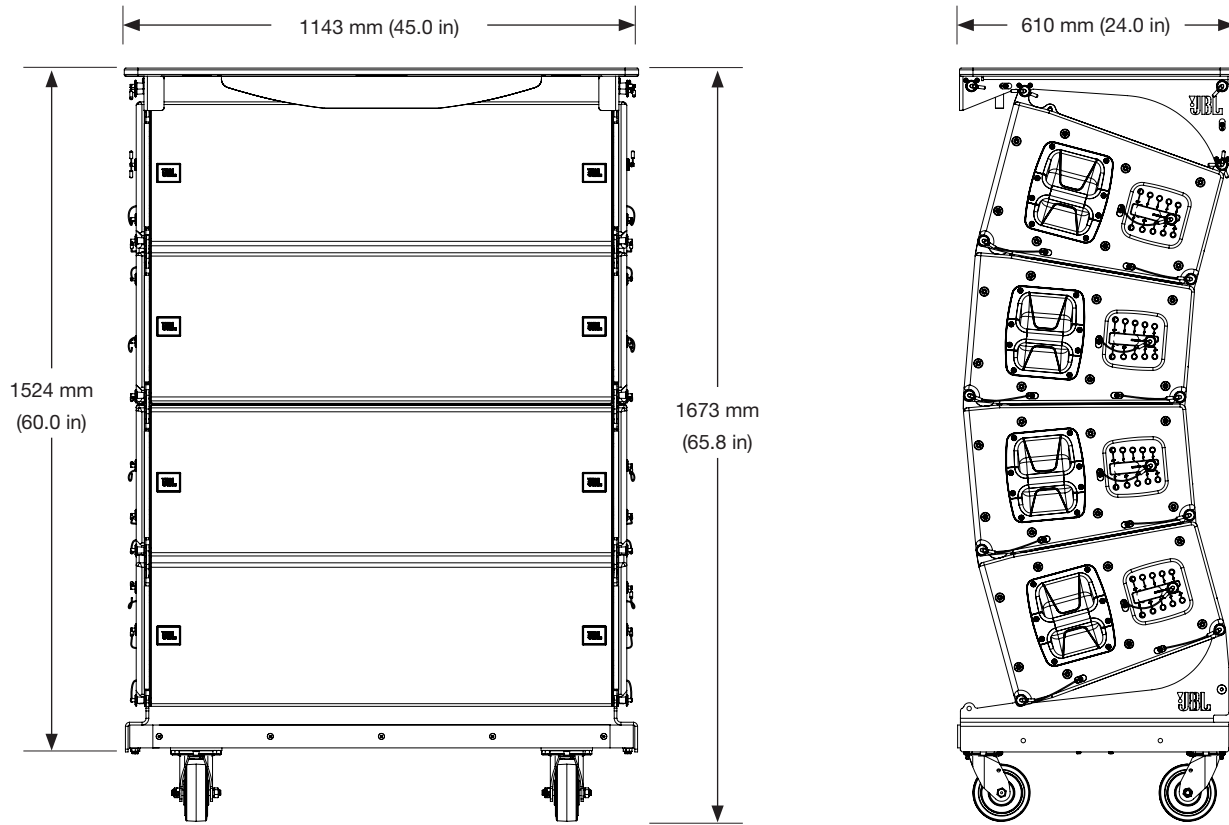
INCLUDED

- (1) Vertical Transporter
- (1) Top Panel (VT-TOP)

DIMENSIONS



DIMENSIONS



TECHNICAL SPECIFICATIONS

Construction: High-grade steel with anti-corrosion coating, aluminum, Finnish birch plywood

Finish: Black powder coat, black DuraFlex™

Mechanical Limits¹

Transportation: (4) VTX A12

Ground Stack: (6) VTX A12

Dimensions (H x W x D)²: 258 mm x 1054 mm x 492 mm
(10.1 in x 41.5 in x 39.9 in)

Net Weight

VTX A12 VT: 29.3 kg (64.5 lbs)

VT-TOP: 13.2 kg (29 lbs)

Complete Cart³: 285.7 kg (629.8 lbs)

Footnotes:

1: Always use the VTX A12 VT GND outrigger accessory for ground stacking VTX A12 cabinets.

2: Refer to the 2D and 3D Customer Drawings for more detailed dimensions.

3: Weight includes (1) VTX A12 VT, (1) VTX A12 VT-TOP and (4) VTX A12.

JBL continually engages in research related to product improvement. Some materials, production methods and design refinements are introduced into existing products without notice as a routine expression of that philosophy. For this reason, any current JBL product may differ in some respect from its published description, but will always equal or exceed the original design specifications unless otherwise stated.